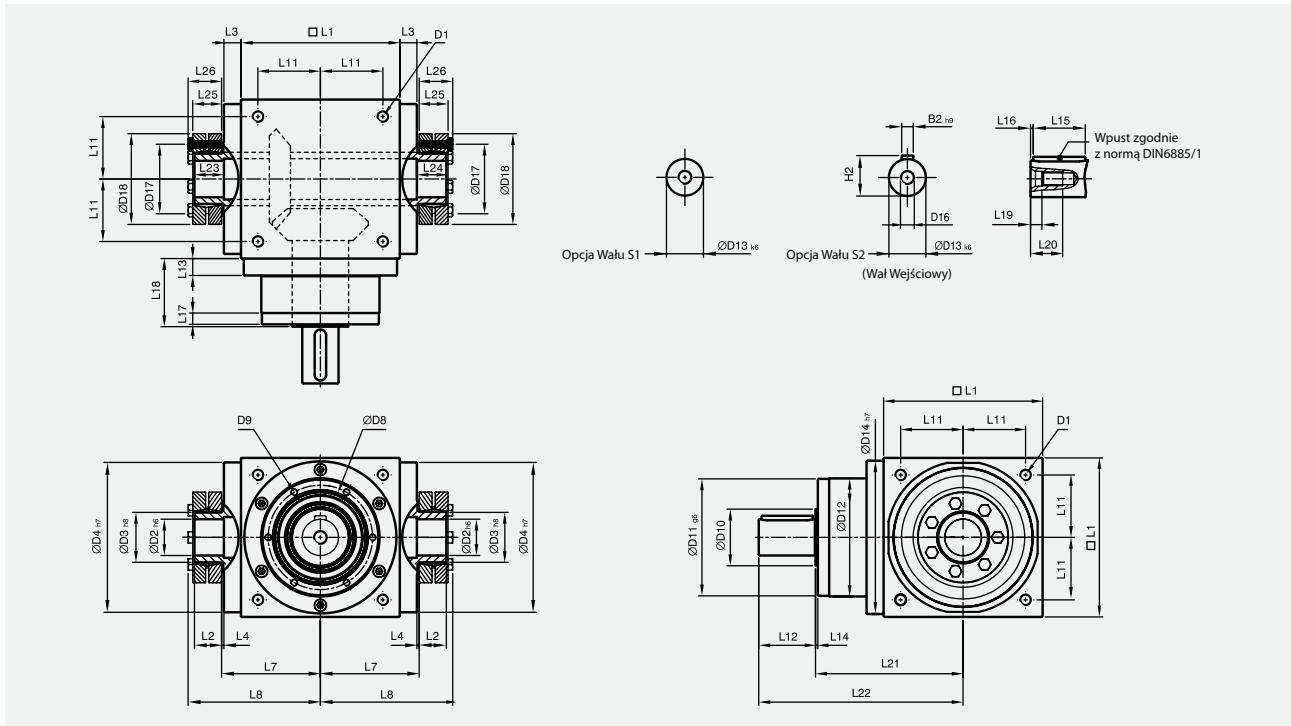


Seria AT-C

Wymiary (1-stopień, przełożenie $i=1\sim5$)



● Wyposażenie standardowe zawiera 2 dyski zaciskowe wału

[jednostki: mm]

| Wymiary | AT065C | AT075C | AT090C | AT110C | AT140C | AT170C | AT210C | AT240C | AT280C |
|-------------------|---------|---------|---------|----------|----------|------------|------------|------------|-----------|
| D1 | M4 | M6 | M6 | M8 | M10 | M12 | M16 | M16 | M16 |
| D2 _{H6} | 13 | 14 | 18 | 22 | 32 | 40 | 50 | 55 | 60 |
| D3 _{H8} | 16 | 16 | 22 | 25 | 44 | 50 | 62 | 68 | 75 |
| D4 _{H7} | 63 | 73 | 88 | 108 | 135 | 165 | 205 | 235 | 275 |
| D8 | 53 | 62 | 76 | 95 | 92 | 114 | 142 | 160 | 176 |
| D9 | 4xM4xL7 | 4xM5xL8 | 4xM5xL8 | 6xM6xL10 | 6xM6xL10 | 6xM8xL12.5 | 6xM8xL12.5 | 6xM8xL12.5 | 6xM10xL15 |
| D10 | 15.4 | 20.4 | 25.8 | 35.8 | 49.8 | 59.3 | 79.3 | 92.3 | 102.3 |
| D11 _{G6} | 62.9 | 72.9 | 87 | 107 | 103 | 127 | 158 | 178 | 198 |
| D12 | 62 | 72 | 86 | 106 | 104 | 128 | 160 | 180 | 200 |
| D13 _{K6} | 13 | 16 | 18 | 22 | 32 | 40 | 50 | 55 | 60 |
| D14 _{H7} | 63 | 73 | 88 | 108 | 135 | 165 | 205 | 235 | 275 |
| D16 | M4 | M5 | M5 | M8 | M12 | M16 | M16 | M16 | M20 |
| D17 | 26 | 26 | 36 | 38 | 61 | 70 | 86 | 86 | 100 |
| D18 | 41 | 41 | 50 | 50 | 80 | 90 | 110 | 115 | 138 |
| L1 | 65 | 75 | 90 | 110 | 140 | 170 | 210 | 240 | 280 |
| L2 | 14 | 14 | 18 | 18 | 24 | 26 | 29 | 29 | 30.5 |
| L3 | 13 | 14.5 | 15 | 15 | 15 | 15 | 20 | 25 | 25 |
| L4 | 2 | 2 | 2 | 2 | 2 | 2 | 2 | 2 | 2 |
| L7 | 47.5 | 54 | 62 | 72 | 87 | 102 | 127 | 147 | 167 |
| L8 | 66 | 72.5 | 85 | 95 | 116.5 | 133.5 | 161.5 | 181.5 | 205 |
| L11 | 27 | 30 | 36 | 44 | 55 | 67 | 85 | 95 | 110 |
| L12 | 19.5 | 30 | 35 | 40 | 50 | 60 | 75 | 85 | 110 |
| L13 | 13 | 15 | 15 | 15 | 15 | 15 | 20 | 25 | 25 |
| L14 | 2 | 2 | 2 | 2 | 2 | 2 | 2 | 2 | 2 |
| L15 | 16 | 25 | 28 | 32 | 45 | 50 | 70 | 80 | 100 |
| L16 | 2 | 2.5 | 3.5 | 4 | 2.5 | 5 | 2.5 | 2.5 | 5 |
| L17 | 6 | 8 | 8 | 8 | 10 | 10 | 10 | 10 | 10 |
| L18 | 43 | 52.5 | 55 | 60 | 60 | 70 | 90 | 105 | 120 |
| L19 | 4.5 | 4.8 | 4.8 | 7.2 | 10 | 12 | 12 | 12 | 15 |
| L20 | 10 | 12.5 | 12.5 | 19 | 28 | 36 | 36 | 36 | 42 |
| L21 | 75.5 | 90 | 100 | 115 | 130 | 155 | 195 | 225 | 260 |
| L22 | 95 | 120 | 135 | 155 | 180 | 215 | 270 | 310 | 370 |
| L23 | 15 | 15 | 20 | 20 | 26 | 28 | 31 | 31 | 32.5 |
| L24 | 15 | 15 | 20 | 20 | 26 | 28 | 31 | 31 | 32.5 |
| L25 | 15 | 15 | 19.5 | 19.5 | 25.5 | 27.5 | 30.5 | 30.5 | 32.5 |
| L26 | 18.5 | 18.5 | 23 | 23 | 29.5 | 31.5 | 34.5 | 34.5 | 38 |
| B2 _{H9} | 5 | 5 | 6 | 6 | 10 | 12 | 14 | 16 | 18 |
| H2 | 15 | 18 | 20.5 | 24.5 | 35 | 43 | 53.5 | 59 | 64 |