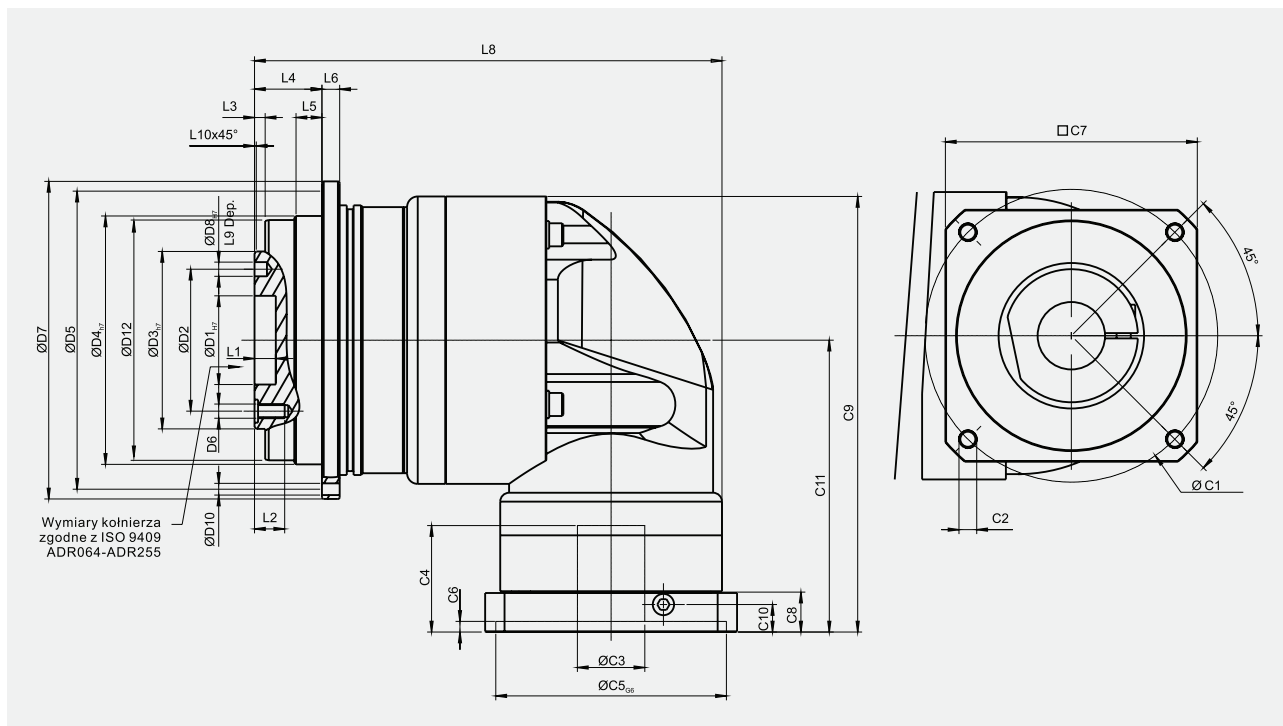


# Seria ADR

## Wymiary (1-stopień, przełożenie $i=4\sim 20$ )



[jednostki: mm]

Wymiary	ADR047	ADR064	ADR090	ADR110	ADR140	ADR200	ADR255
D1 <sub>H7</sub>	12	20	31.5	40	50	80	100
D2	20	31.5	50	63	80	125	140
D3 <sub>h7</sub>	28	40	63	80	100	160	180
D4 <sub>h7</sub>	47	64	90	110	140	200	255
D5	67	79	109	135	168	233	280
D6	4 x M3 x 0.5P	7 x M5 x 0.8P	7 x M6 x 1P	11 x M6 x 1P	11 x M8 x 1.25P	11 x M10 x 1.5P	12 x M16 x 2P
D7	72	86	118	145	179	247	300
D8 <sub>H7</sub>	3	5	6	6	8	10	12
D10	8 x 3.4	8 x 4.5	8 x 5.5	8 x 5.5	12 x 6.6	12 x 9	16 x 13.5
D12	46.2	63.2	89.2	109.2	139.2	199.2	254.2
L1	4	8	12	12	12	16	20
L2	6.5	8	13.5	13.5	17	22.5	30.5
L3	3	3	6	6	6	8	12
L4	19.5	19.5	30	29	38	50	66
L5	7	7	10	10	14.6	15	20
L6	4	4	7	8	10	12	18
L8	107.5	126	172.5	201	263.5	334.5	392
L9	4	6	7	7	7	10	10
L10	0.5	0.5	1	1	1	1	1
C1 <sup>4</sup>	46	70	100	130	165	215	235
C2 <sup>4</sup>	M4 x 0.7P	M5 x 0.8P	M6 x 1P	M8 x 1.25P	M10 x 1.5P	M12 x 1.75P	M12 x 1.75P
C3 <sup>4</sup>	≤11 / ≤12	≤14 / ≤16	≤19 / ≤24	≤32	≤38	≤48	≤55
C4 <sup>4</sup>	30	34	40	50	60	85	116
C5 <sup>4</sup>	30	50	80	110	130	180	200
C6 <sup>4</sup>	3.5	8	4	5	6	6	6
C7 <sup>4</sup>	48	60	90	115	142	190	220
C8 <sup>4</sup>	19.5	19	17	19.5	22.5	29	63
C9 <sup>4</sup>	104.25	116.5	159.5	199	245.5	316	398.5
C10 <sup>4</sup>	13.25	13.5	10.75	13	15	20.75	53.5
C11 <sup>4</sup>	74	77.5	107.5	134	164.5	241.5	268.5

4. C1~C11 są wymiarami zależnymi od wybranego silnika. Dane dotyczące systemu mocującego można uzyskać na stronie [www.apexdyna.pl](http://www.apexdyna.pl) w sekcji Design Tool.