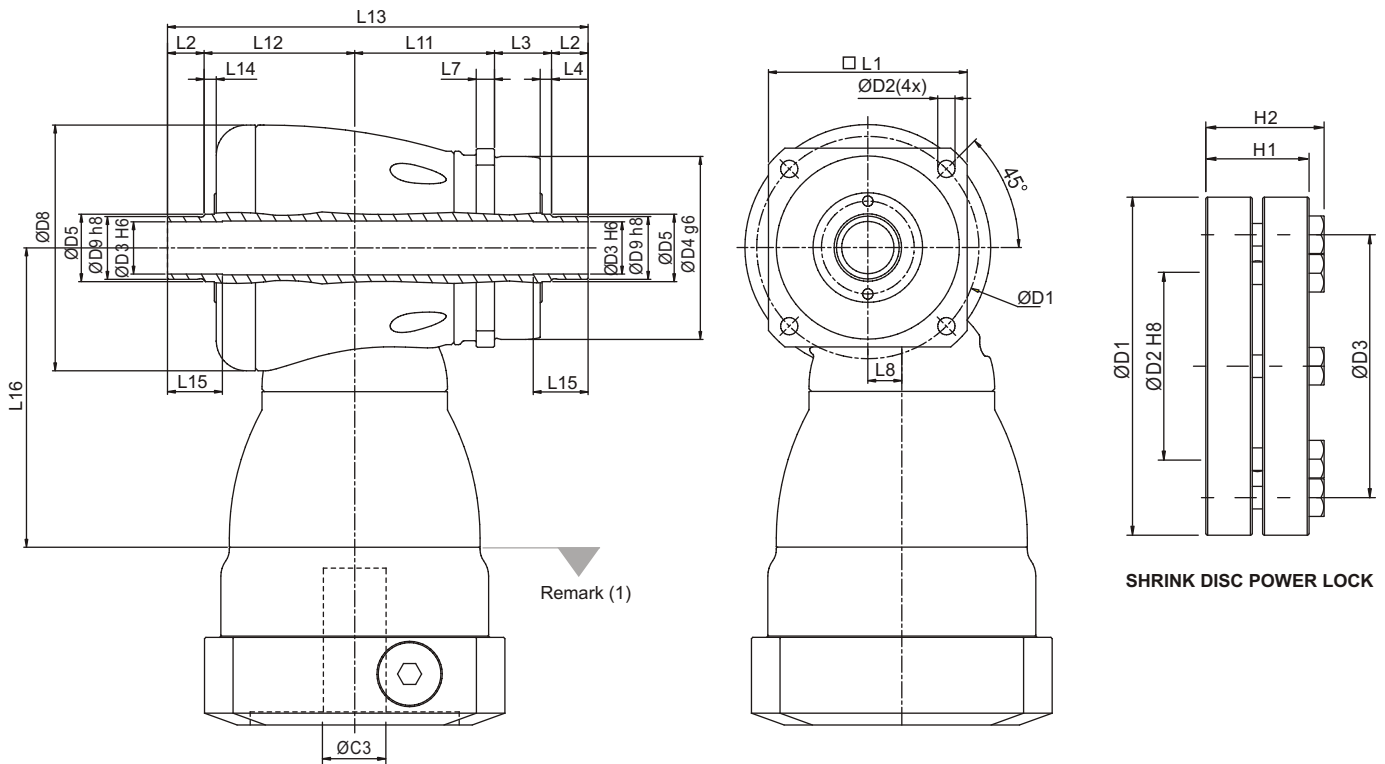


KF-S4 Series Dimension



Dimension	KF 060	KF 075	KF 100	KF 140	KF 180
	1-stage	1-stage	1-stage	1-stage	1-stage
D1	68	85	120	165	215
D2	5.5	6.6	9	11	13.5
D3 H6	15	20	30	40	55
D4 g6	60	70	90	130	160
D5	18.5	25.8	36.8	55.2	69.2
D8	73	94	116	163	210
D9 h8	18	24	36	50	68
L1	62	76	101	141	182
L2	12	14	18	22	23
L3	22	21.8	32	33	34
L4	4	4.3	5	6	7
L7	6	7	10	12	15
L8	10	13	17	25	31
L11	43	53.5	67	90	119
L12	48.5	57.7	73.3	95	122
L13	137.5	161	208.3	262	321
L14	4	4.7	5	6	7
L15	19	21	25	30	30
L16	94	114.5	129	173.5	228

(1) Dimensions are related to motor interface. Please contact APEX for details.

SHRINK DISC POWER LOCK

Dimension	D1	D2	D3	H1	H2
SSD-d18xdw15	44	19.5	30	15	18.5
SSD-d24xdw20	50	26	36	18	21.5
SSD-d36xdw30	72	38	52	22	26
SSD-d50xdw40	90	51.6	70	27.5	31.5
SSD-d68xdw55	115	70.5	86	30.5	34.5