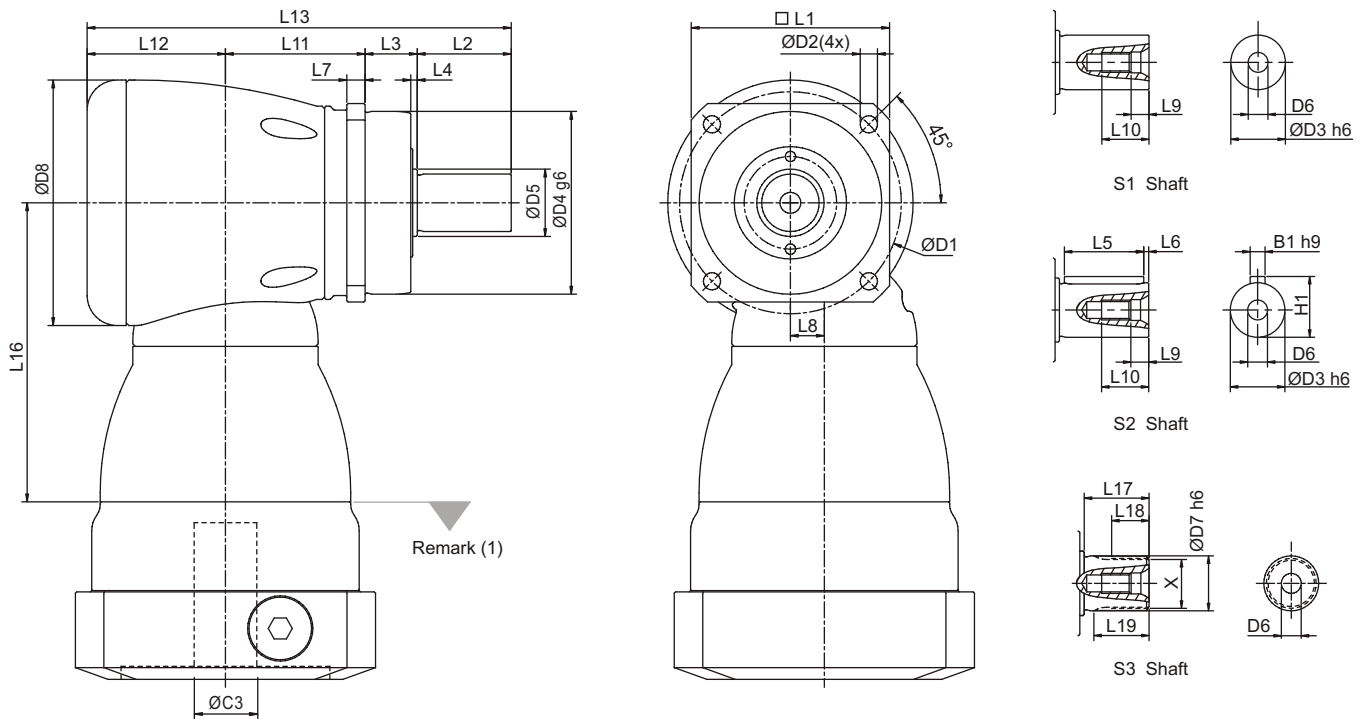


KF-S1 / S2 / S3 Series Dimension



Remark (1)

Dimension	KF 060	KF 075	KF 100	KF 140	KF 180	KF 210	KF 240	
	1-stage	1-stage	1-stage	1-stage	1-stage	1-stage	1-stage	
D1	68	85	120	165	215	250	290	
D2	5.5	6.6	9	11	13.5	17	17	
D3	h6 16	22	32	40	55	75	85	
D4	g6 60	70	90	130	160	180	200	
D5	18.5	25.8	36.8	55.2	69.2	82.2	92.2	
D6	M5X0.8P	M8X1.25P	M12X1.75P	M16X2P	M20X2.5P	M20X2.5P	M20X2.5P	
D7	h6 16	22	32	40	55	75	85	
D8	73	94	116	163	210	255	300	
L1	62	76	101	141	182	215	245	
L2	28	36	58	82	82	105	130	
L3	20	20	30	30	30	38	40	
L4	2	2.5	3	3	3	3	3	
L5	25	32	50	63	70	90	125	
L6	2	2	4	5	6	7	3	
L7	6	7	10	12	15	17	20	
L8	10	13	17	25	31	36	43	
L9	4.8	7.2	10	12	15	15	15	
L10	12.5	19	28	36	42	42	42	
L11	43	53.5	67	90	119	141	176	
L12	44.5	53	68.3	89	115	131	165	
L13	135.5	162.5	223.3	291	346	415	511	
L16	94	114.5	129	173.5	228	265.5	294.5	
L17	26	26	26	40	41.5	52	60	
L18	15	15	15	20	21.5	28	36	
L19	21	22.5	23	33.5	33.5	45	53	
B1	h9 5	6	10	12	16	20	22	
H1	18	24.5	35	43	59	79.5	90	
X	DIN 5480	W16x0.8x30x18x6m	W22x1.25x30x16x6m	W32x1.25x30x24x6m	W40x2x30x18x6m	W55x2x30x26x6m	W70x2x30x34x6m	W80x2x30x38x6m

(1) Dimensions are related to motor interface. Please contact APEX for details.