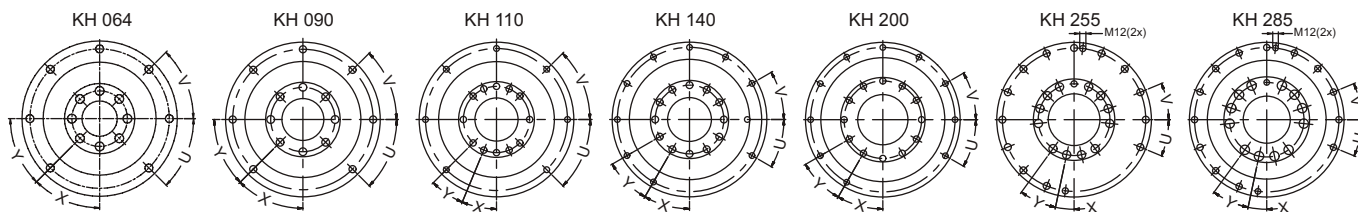
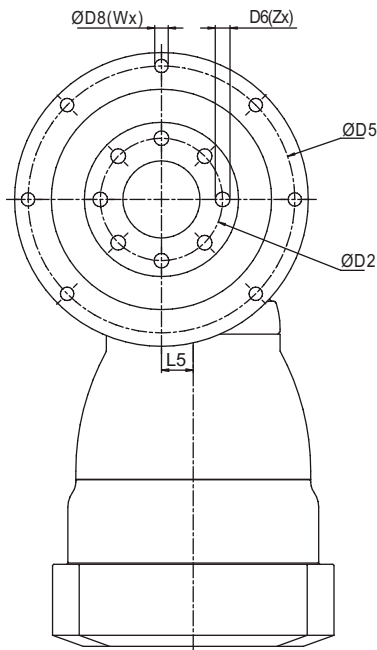
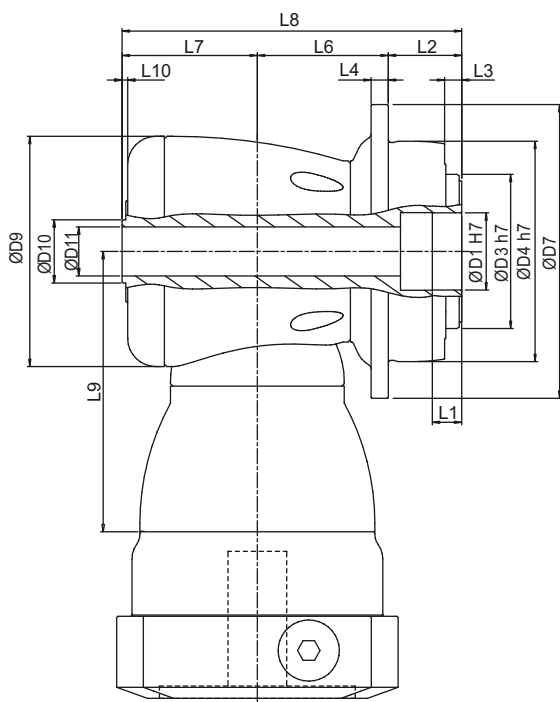


KH Series Dimension



Dimension	KH 064		KH 090		KH 110		KH 140		KH 200		KH 255		KH 285	
	1-stage		1-stage		1-stage		1-stage		1-stage		1-stage		1-stage	
D1 H7	20		31.5		40		50		80		100		100	
D2	31.5		50		63		80		125		140		160	
D3 h7	40		63		80		100		160		180		200	
D4 h7	64		90		110		140		200		255		285	
D5	79		109		135		168		233		280		310	
D6	M5x0.8Px8		M6x1Px10		M6x1Px12		M8x1.25Px15		M10x1.5Px20		M16x2Px25		M20x2.5Px31	
D7	88		120		147		180		249.5		302		332	
D8	4.5		5.5		5.5		6.6		9		13.5		13.5	
D9	73		94		116		163		210		255		300	
D10	18.5		25.8		36.8		55.2		69.2		82.2		92.2	
D11	10		20		28		40		55		62		70	
L1	8		12		12		12		16		20		20	
L2	19.5		30		29		38		50		66		75	
L3	4		7		7		7.5		8.5		13.5		16.5	
L4	5		7		8		10		12		18		20	
L5	10		13		17		25		31		36		43	
L6	43		53.5		67		81		117		132		160.5	
L7	46		55.3		71.3		91.8		118		134		168	
L8	108.5		138.8		167.3		210.8		285		332		403.5	
L9	94		114.5		129		173.5		228		265.5		294.5	
L10	1.5		2.3		3		2.8		3		3		3	
X in Degree	45°		45°		22.5°		30°		30°		12°		12°	
Y in Degree	45°		45°		22.5°		30°		30°		24°		24°	
Z	8		8		12		12		12		12		12	
U in Degree	45°		45°		45°		30°		30°		22.5°		22.5°	
V in Degree	45°		45°		45°		30°		30°		22.5°		22.5°	
W	7		7		7		10		10		13		13	

(1) Dimensions are related to motor interface. Please contact APEX for details.