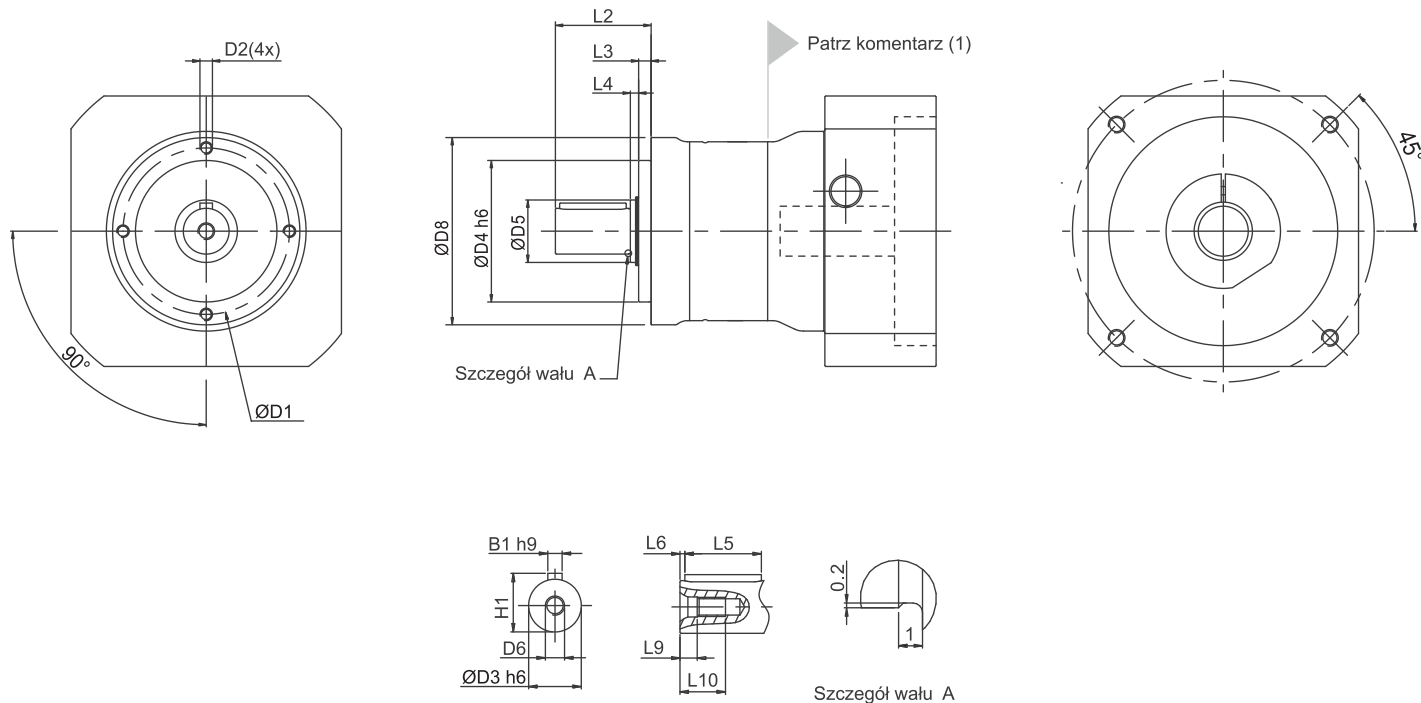


PEII Wymiary serii



| Wymiar | PEII050 | | PEII070 | | PEII090 | | PEII120 | | PEII155 | |
|------------------|-----------|-----------|-----------|-----------|-----------|-----------|-----------|-----------|-----------|-----------|
| | 1-stopień | 2-stopnie | 1-stopień | 2-stopnie | 1-stopień | 2-stopnie | 1-stopień | 2-stopnie | 1-stopień | 2-stopnie |
| D1 | 44 | | 62 | | 80 | | 108 | | 140 | |
| D2 | M4X9 | | M5X10 | | M6X12 | | M8X15 | | M10X18 | |
| D3 _{h6} | 12 | | 16 | | 22 | | 32 | | 40 | |
| D4 _{h6} | 35 | | 52 | | 68 | | 90 | | 120 | |
| D5 | 17 | | 22 | | 30 | | 40 | | 55 | |
| D6 | M4X0.7P | | M5X0.8P | | M8X1.25P | | M12X1.75P | | M16X2P | |
| D8 | 50 | | 70 | | 90 | | 120 | | 155 | |
| L2 | 24.5 | | 36 | | 46 | | 70 | | 97 | |
| L3 | 4 | | 4.5 | | 6 | | 7 | | 9.5 | |
| L4 | 2.5 | | 3.5 | | 4 | | 5 | | 5.5 | |
| L5 | 14 | | 25 | | 32 | | 50 | | 70 | |
| L6 | 2 | | 2 | | 2 | | 4 | | 6 | |
| L9 | 4.5 | | 4.8 | | 7.2 | | 10 | | 12 | |
| L10 | 10 | | 12.5 | | 19 | | 28 | | 36 | |
| B1 _{h9} | 4 | | 5 | | 6 | | 10 | | 12 | |
| H1 | 13.5 | | 18 | | 24.5 | | 35 | | 43 | |

(1) Wymiary są uzależnione od adaptera silnika. Skontaktuj się z Apexem aby uzyskać więcej szczegółów.